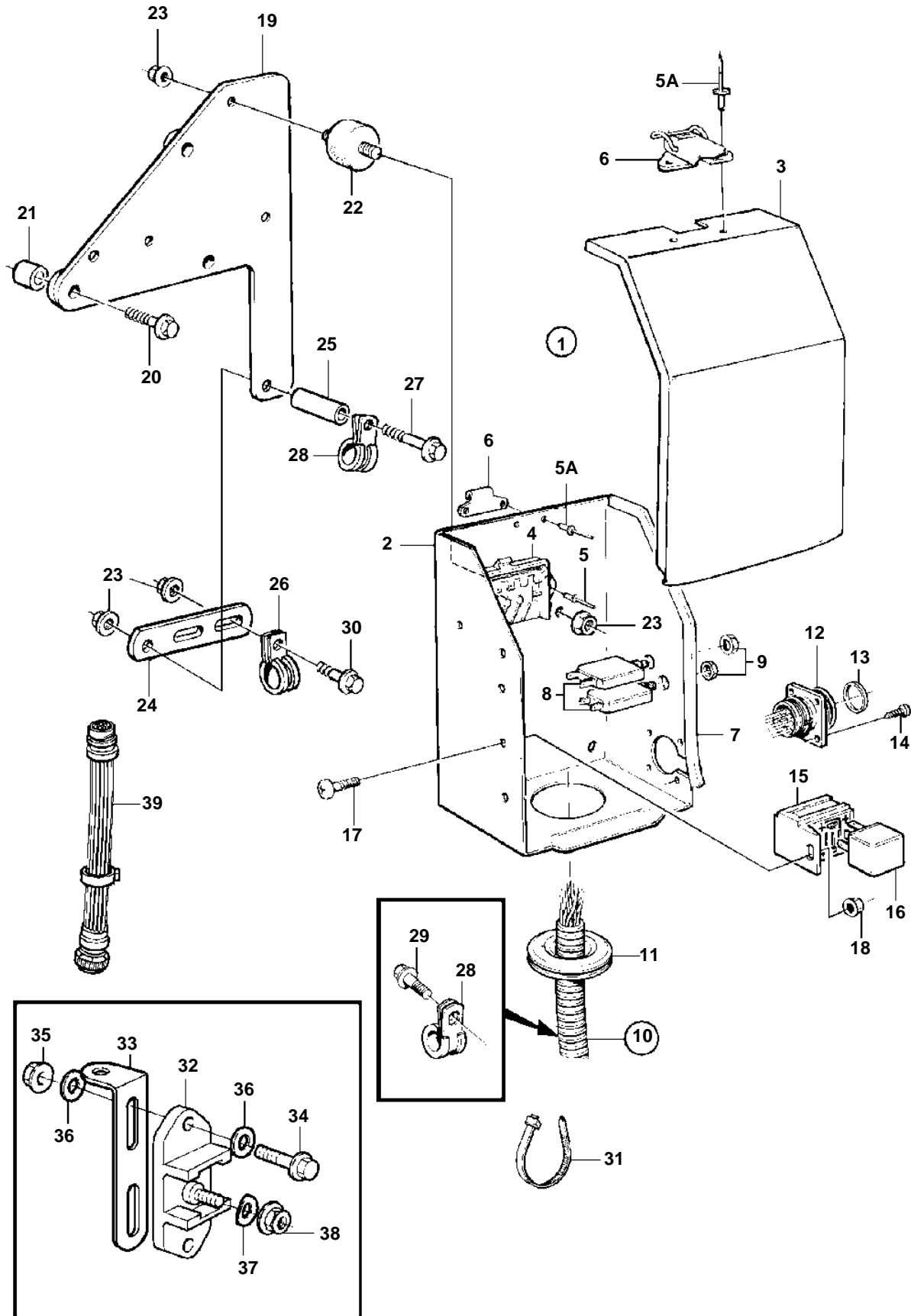


TAMD72P-A



17139

TAMD72P-A

REF	PART NO.	QTY	DESCRIPTION	NOTES
1	3825254	1	Electrical distribut	
2		1	• Box	
3	3825253	1	• Cover	
4	1234048	1	• Lower section	
5	942670	2	• Rivet	
5A	965592	4	• Rivet	
6	3825257	1	• Tension lock	
7	1214306	1	• Protecting moulding	
8	966689	2	Fuse	
9		2	• Nut	
10	873620	1	Wiring harness	
11	943920	1	• Protecting plug	
12	846611	1	• Sleeve connector, instrument panel	
13	846615	1	• Sealing ring	
14	945761	4	Screw	
15	977184	2	Tab housing	
16	873765	3	Relay	12V
	9518230	3	Relay	24V
17	956075	3	Screw	(967378)
18	965483	3	Nut	
19	866694	1	Bracket	
20	946470	3	Flange screw	
21	845589	3	Spacer sleeve	
22	3574797	3	Rubber cushion	
23	949278	9	Lock nut	M6
24	965540	1	Bracket	
25	848229	1	Sleeve	
26	949747	2	Clamp	
27	965177	1	Flange screw	M6
28	947827	2	Clamp	
	952635	2	Clamp	
29	946440	1	Flange screw	M8
	945414	2	Screw	M6
30	945414	2	Screw	M6
31	948211	5	Strip clamp	
32	6776926	2	Terminal block	M6 connecting, only 12v engines
33	965558	2	Bracket	L=80mm. Only 12V engines.
34	965200	4	Flange screw	M5x16. Only 12V engines.
35	949874	4	Lock nut	M5. Only 12V engines.
36	960140	8	Washer	Only 12V engines.
37	941906	2	Spring washer	Only 12V engines.
38	945407	2	Flange nut	M6. Only 12V engines.
39	873689	1	Cable kit	This cable kit is needed for the connection of EDC-system to an instrument panel or instrument panel kit.